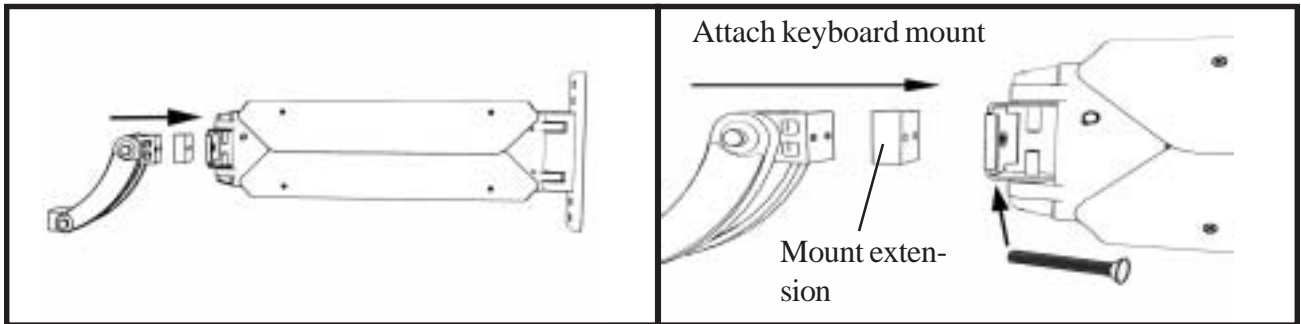
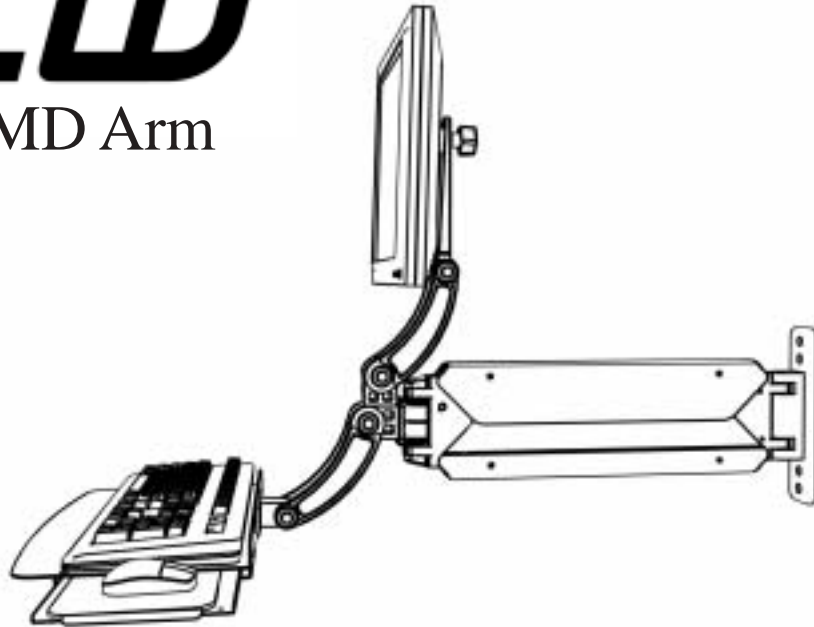
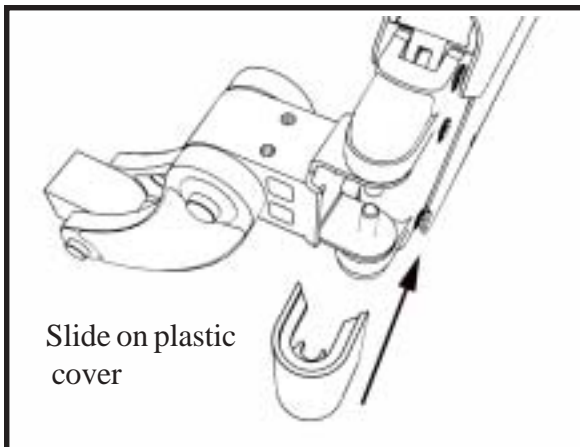


ICW

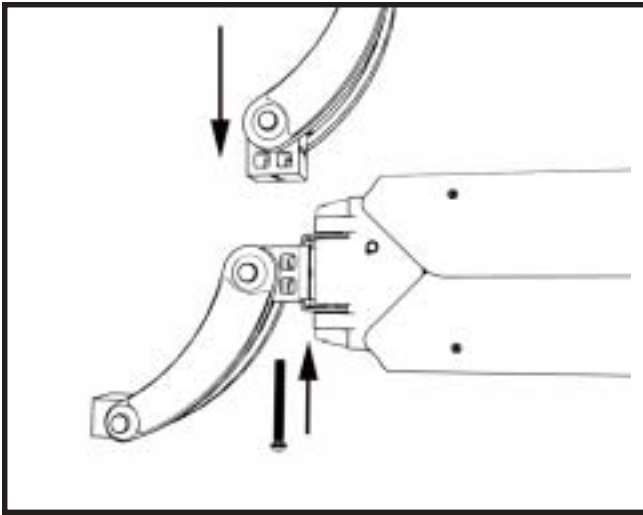
ICW MD Arm



1) Lay the arm and the keyboard mount on a flat surface and using the provided hex key and the 1.5 inch flat head machine screws found in your hardware bag, attach the keyboard mount to the arm as shown in the illustration, being sure to include the mount extension (found in your hardware bag) between the arm and the mount. (For mounting a monitor mount alone without a keyboard please see page 4)

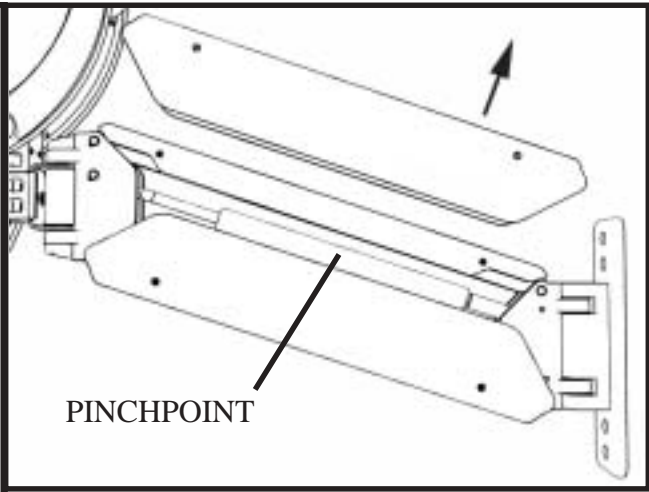
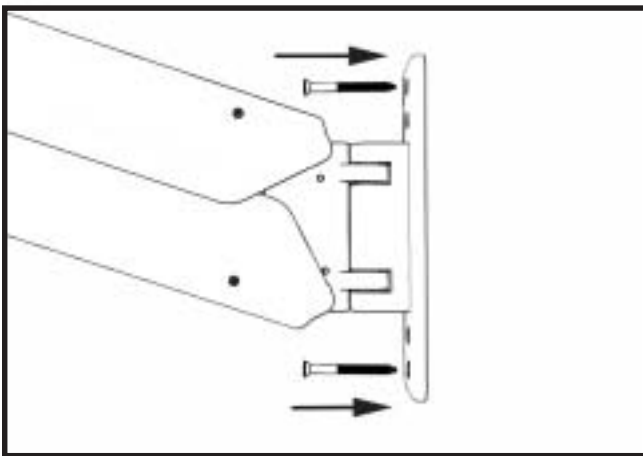


2) Turn the mount to the side and slip the plastic cover over the screws on the end of the arm.



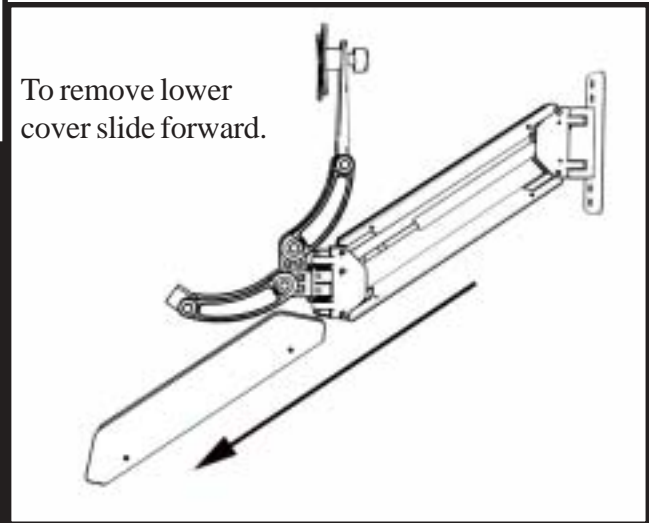
3) Attach the monitor mount as show using the included 2.25 inch 1/4x20 button head screws (x2) and the ICW supplied hex key.

4) Locate a stud in the wall you intend to mount your arm on. Mark the top hole, drill 11/64 pilot hole and insert an ICW provided #14 screw and tighten slightly. Using a **level**, mark the 3 lower holes and drill pilot holes, insert the last three #14 screws and, with the mount level, tighten all screws securely.

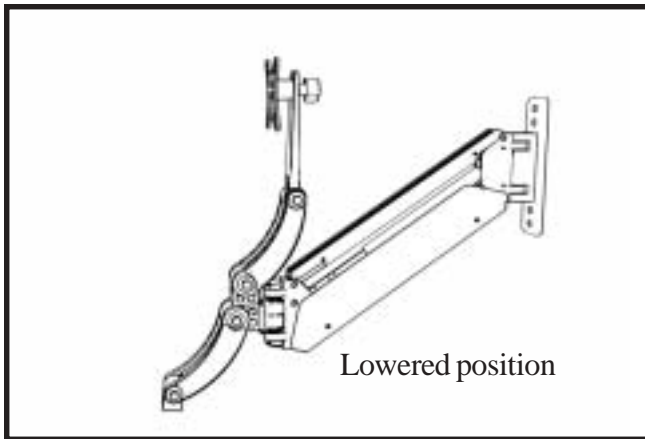


5) Using a philips head screwdriver, remove the four screws from the upper cover, exposing the cable channel. **WARNING - PINCHPOINT:** Keep fingers away from the inner arm area where the gas spring is located.

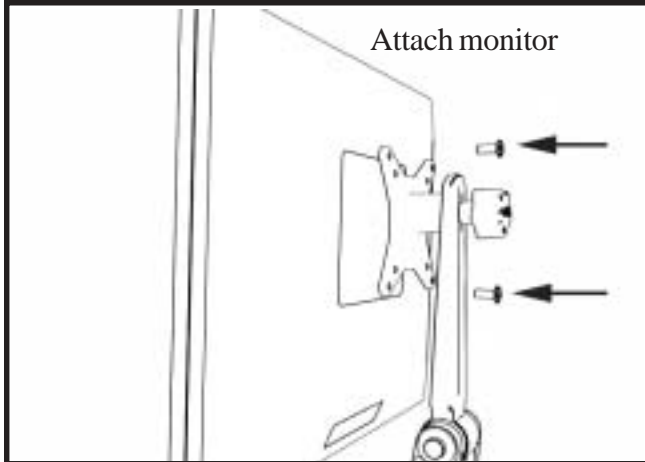
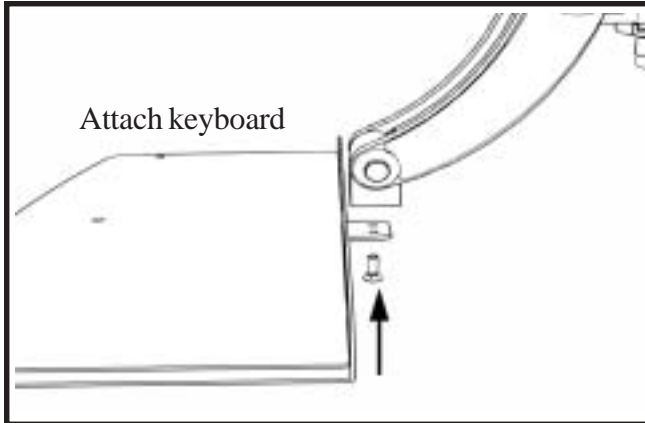
The lower cover can also be removed by lowering the arm into the down position, removing the screws, and sliding the cover forward off of the arm.



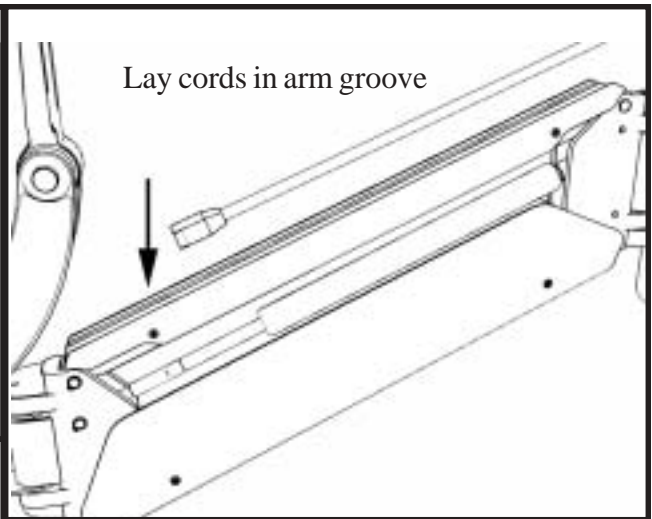
To remove lower cover slide forward.



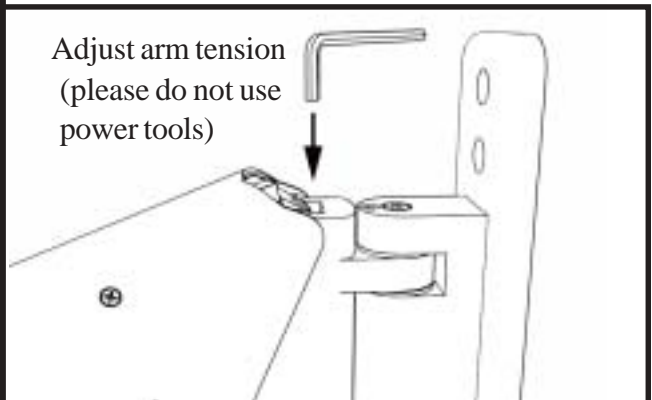
6) With the arm in the lowered position, attach the keyboard using the included hardware and ICW supplied hex key.



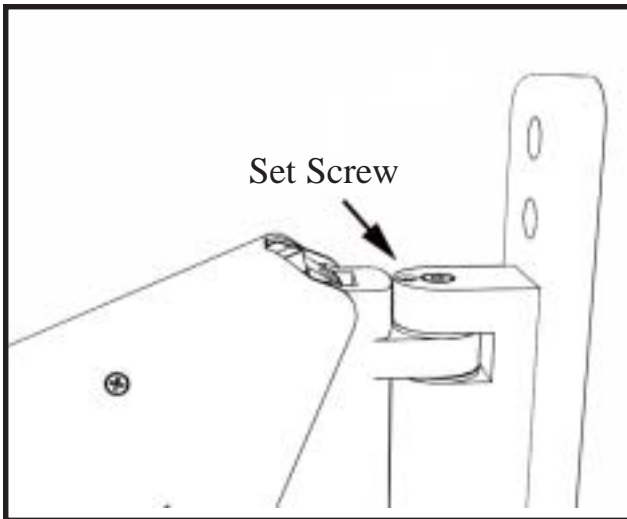
7) Using the included 4mm screws (x4), carefully secure your monitor to the VESA on the monitor mount.



8) Place your keyboard, mouse, and mouse pad on the keyboard tray. Carefully lay all the cords for your equipment in the groove in the upper and lower arms and secure the covers. Be sure to leave a bit of slack in the cords to allow for arm movement.

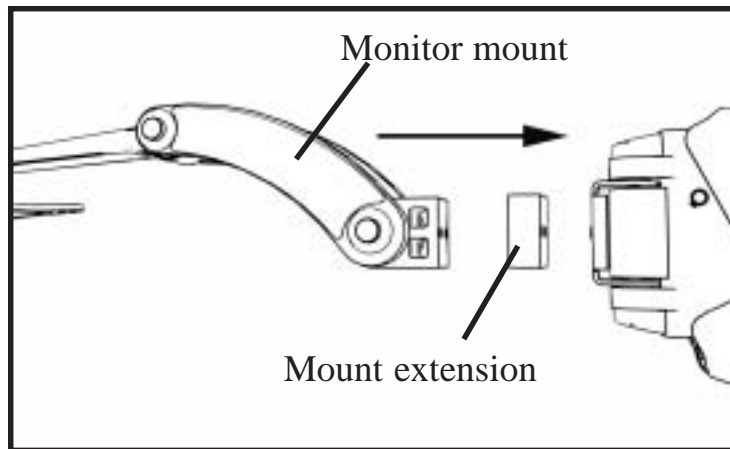


9) Using the ICW supplied 3/16 hex key, slowly adjust the arms tension by inserting the wrench in the opening in the top of the arm where it meets the wall mount (there is a small half-moon shaped slot in the mount), and turning the wrench to raise or lower the arms tension. (WARNING: DO NOT USE POWER TOOLS TO ADJUST THE ARMS TENSION) Supporting the end of the arm and lifting gently while adjusting will ease raising the arms tension.



10) If you need a firmer feel to your arms horizontal pivot, slightly tighten the set screws on the top and bottom of the arm joint.

Monitor only option



If mounting a monitor only, attach the monitor mount as you would the keyboard mount (page 1) - using the 1.5 inch flat head machine screws found in your hardware bag and being sure to include the mount extension.

For any questions please contact ICW at 1-800-558-4435