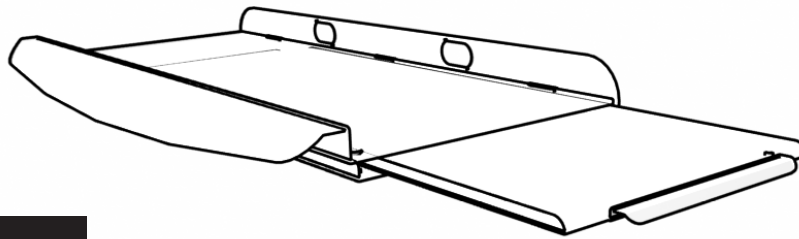


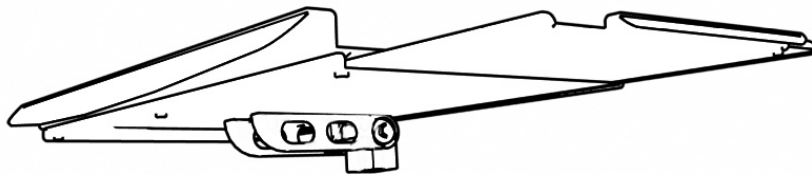


Keyboard Tray Installation

The keyboard tray comes fully assembled and only needs to be secured to the mounting plate using the two supplied 1/4-20 flathead screws.

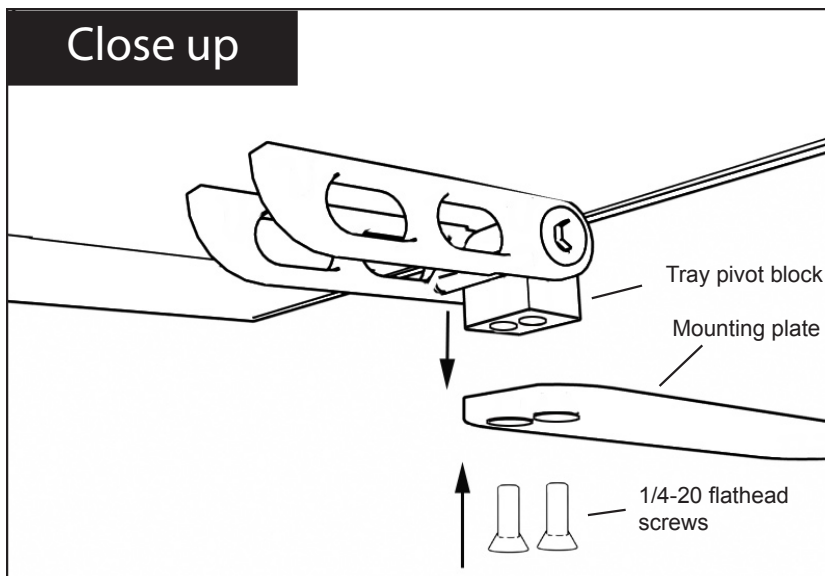


Upper surface



Underside

Close up



After mounting the keyboard tray to the mounting plate, attach the included velcro strips to your keyboard and the keyboard tray.