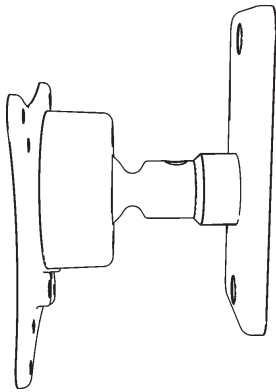
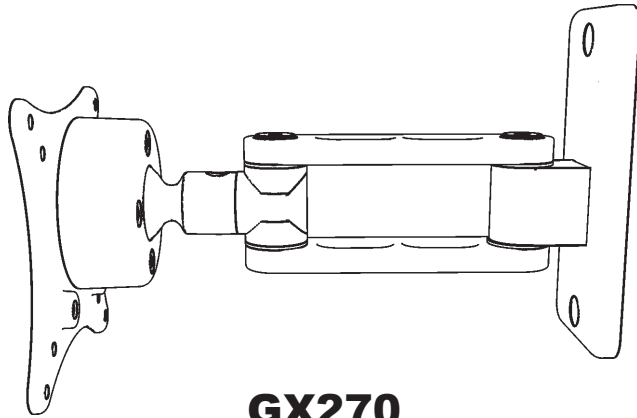




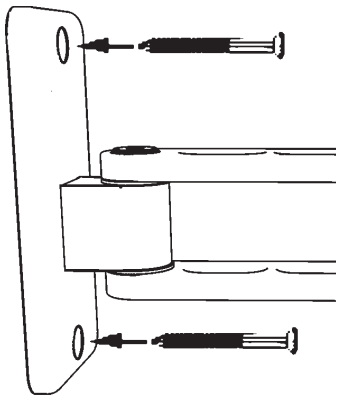
GX Mount Installation



GX170



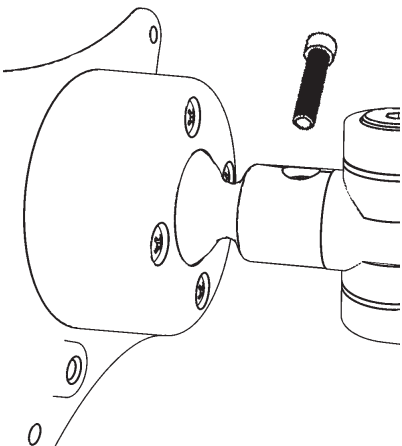
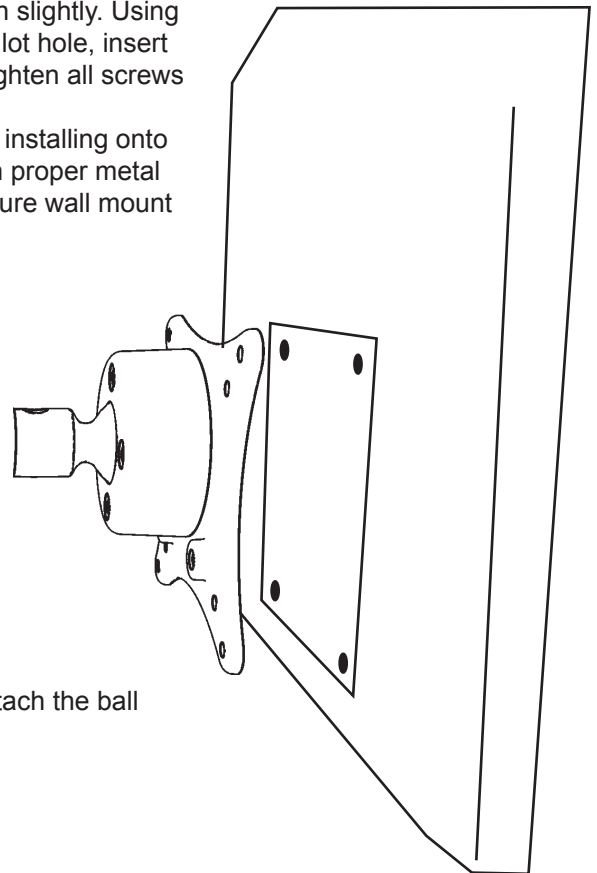
GX270



Locate a stud in the wall you intend to mount your arm on. Mark the top hole, drill $11/64$ pilot hole and insert a #14 screw (provided) and tighten slightly. Using a level, mark the lower hole and drill a pilot hole, insert a #14 screw and with the mount level, tighten all screws securely.

Note: ICW supplies #14 wood screws. If installing onto metal studs you will need to replace with proper metal stud fasteners. All hardware used to secure wall mount must have a proper countersunk head.

Secure your monitor to the VESA plate using the four 4mm screws provided.



Use the provided $3/16$ " wrench to attach the ball joint to the mount.

