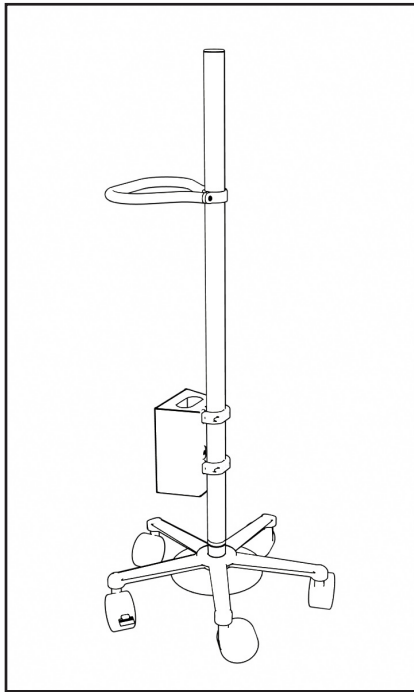




# ICW Cart Series



- 1) Attach the wheels to the base by pressing them in. Two of the wheels have a brake lever, place these on opposite sides.
- 2) Slip the post into the base.
- 3) Attach the weight to the base using the supplied hexhead bolt and large washer.
- 4) Attach the handle using the supplied button head bolts.
- 5) Attach the cable box using the supplied socket head bolts.

