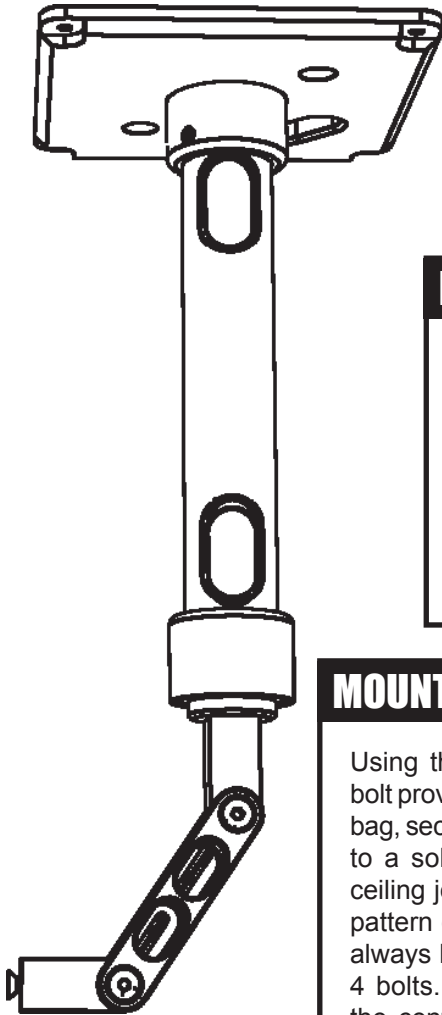


ICW UL500I CEILING MOUNT INSTALLATION

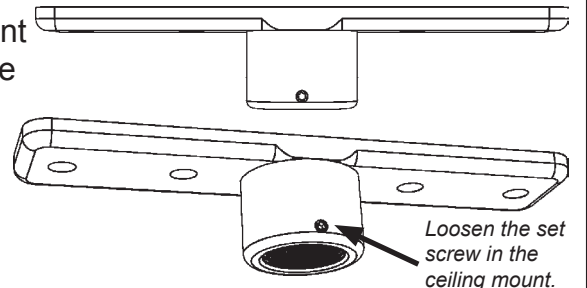
ICWUSA.com, Inc.

If you have any questions, please call 1-800-558-4435



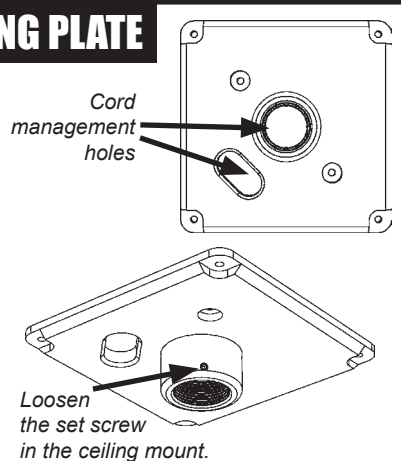
MOUNT INLINE CEILING PLATE

Firmly secure the ceiling mount to a solid ceiling joist using the 4 #14 wood screws found in the hardware bag, being sure the mount is level. Be sure to loosen the set screw before attaching the monitor mount



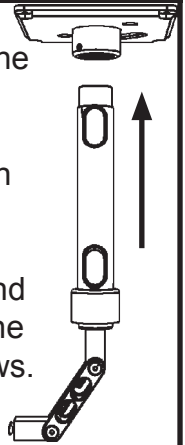
MOUNT SQUARE CEILING PLATE

Using the four 1/4 x 2" lag bolt provided in the hardware bag, secure the ceiling mount to a solid wood surface or ceiling joist. Use the square pattern or the inline pattern, always being sure to use all 4 bolts. Run cords through the center hole or the cord management port. Be sure to loosen the set screw before attaching the ceiling pipe.



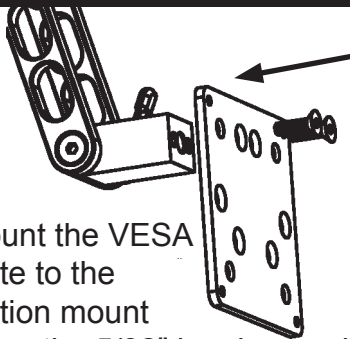
ATTACH CEILING PLATE

Thread the monitor mount extension into the ceiling mount and tighten the set screws.



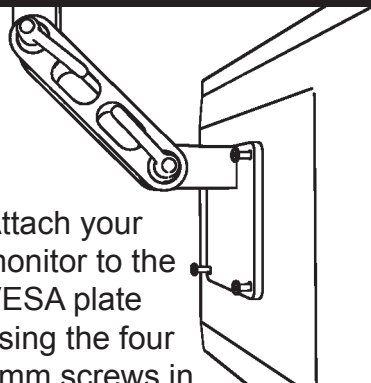
ATTACH VESA

Mount the VESA plate to the friction mount using the 5/32" hex key and the 1/4-20 flat head screws in the hardware bag.



ATTACH TO MONITOR

Attach your monitor to the VESA plate using the four 4mm screws in the hardware bag.



ADJUST TILT HANDLES

Use the handles to adjust the tilt of the monitor.

