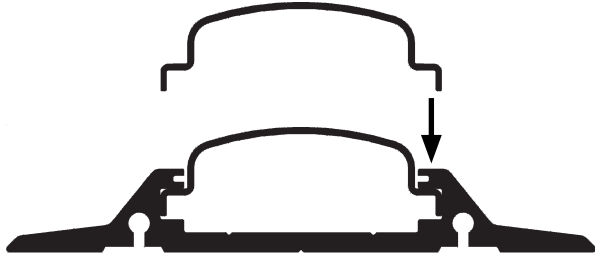


ATTACH MD TRACK COVER

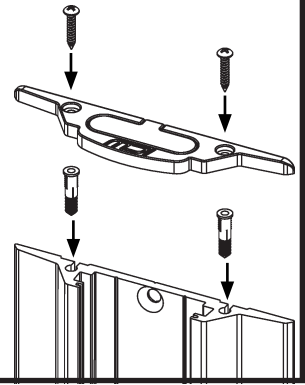
Press in track cover by first laying one side into track groove. Pop in other side by pushing in one edge then applying pressure along the length of the cover.



ATTACH NEW MD TRACK CAP

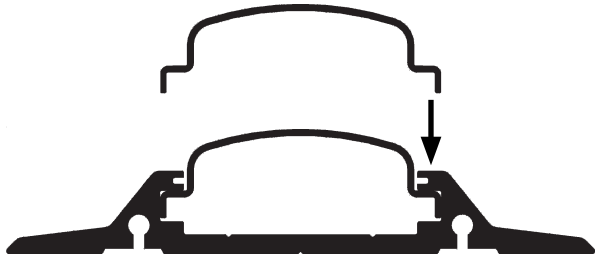
Using a rubber mallet (or something similar) tap in plastic spacers into holes in track. Lay track cap over holes and using a phillips drive, insert screws through track cap into spacers. Don't over tighten.

If you will be running cords through the cap, pop out tab in the center of the cap.



ATTACH MD TRACK COVER

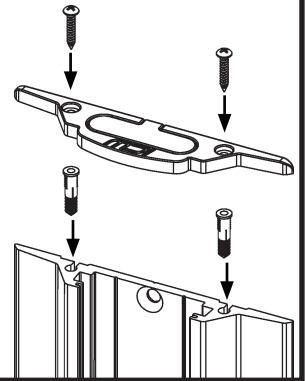
Press in track cover by first laying one side into track groove. Pop in other side by pushing in one edge then applying pressure along the length of the cover.



ATTACH NEW MD TRACK CAP

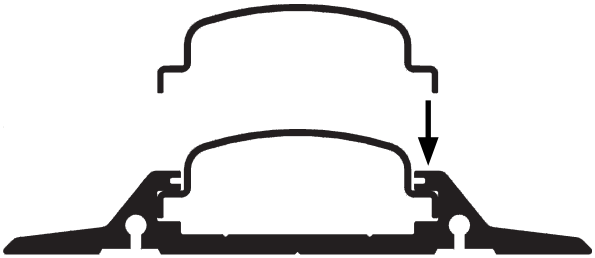
Using a rubber mallet (or something similar) tap in plastic spacers into holes in track. Lay track cap over holes and using a phillips drive, insert screws through track cap into spacers. Don't over tighten.

If you will be running cords through the cap, pop out tab in the center of the cap.



ATTACH MD TRACK COVER

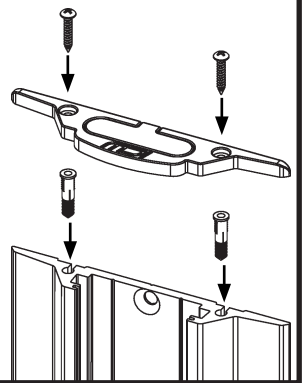
Press in track cover by first laying one side into track groove. Pop in other side by pushing in one edge then applying pressure along the length of the cover.



ATTACH NEW MD TRACK CAP

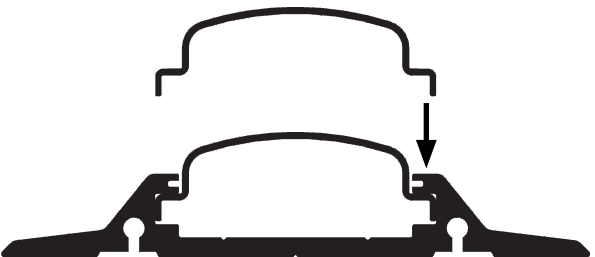
Using a rubber mallet (or something similar) tap in plastic spacers into holes in track. Lay track cap over holes and using a phillips drive, insert screws through track cap into spacers. Don't over tighten.

If you will be running cords through the cap, pop out tab in the center of the cap.



ATTACH MD TRACK COVER

Press in track cover by first laying one side into track groove. Pop in other side by pushing in one edge then applying pressure along the length of the cover.



ATTACH NEW MD TRACK CAP

Using a rubber mallet (or something similar) tap in plastic spacers into holes in track. Lay track cap over holes and using a phillips drive, insert screws through track cap into spacers. Don't over tighten.

If you will be running cords through the cap, pop out tab in the center of the cap.

