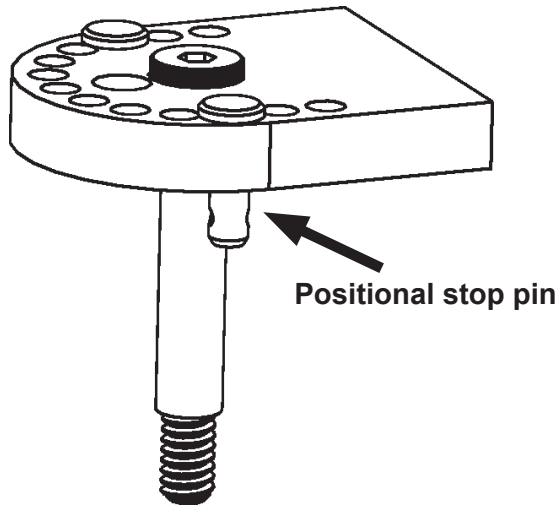


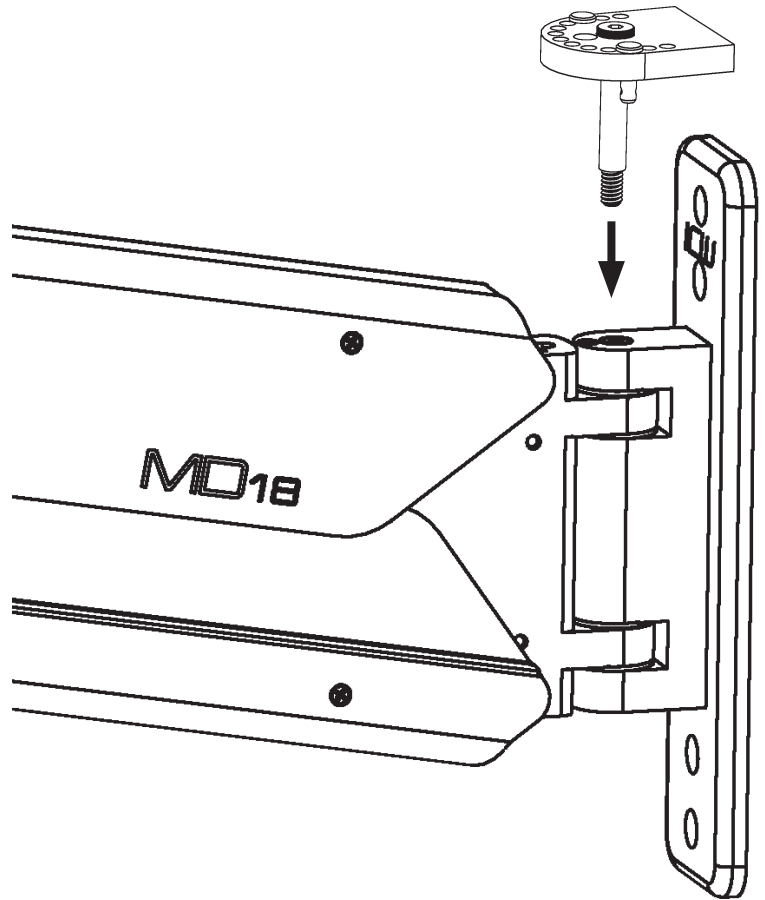


# MD Arm Rotational Stop Kit



Assemble the pieces of the kit as shown on the left. Place the stop pins in the holes according to where you want the MD arm to stop when rotating.

Unscrew and remove the top hinge bolt where the MD arm connects to the wall mount. Now drop in the stop assembly as shown below.



**IMPORTANT:**

Make sure to support the arm while hardware is being removed and the new assembly is being installed.



Check the arm rotation to make sure the arm rotation is limited in the way you need. Adjust the stop pins accordingly