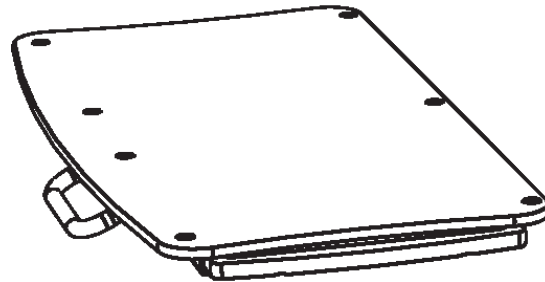


ICW KEYBOARD TRAY INSTALLATION

ICWUSA.com, Inc.

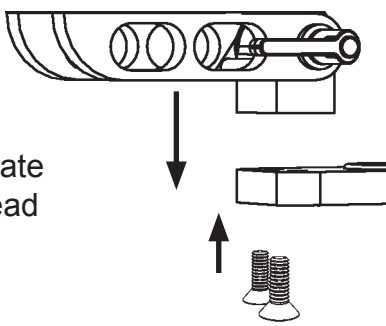
If you have any questions, please call 1-800-558-4435



IF ATTACHING TO FLIP-UP

ATTACH FLIPUP TO PLATE

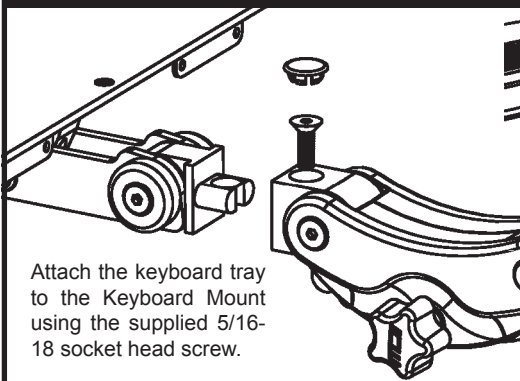
Attach the tray flip-up assembly to the flip-up plate using the provided flat head screws and hex key.



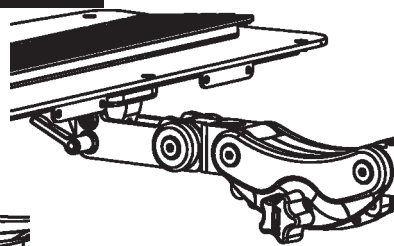
IF ATTACHING TO PARALINK

ATTACH PARALINK KEYBOARD TRAY

Attach the keyboard tray to the Keyboard Mount using the supplied 5/16-18 socket head screw.



Loosen knob to adjust Paralink. Adjust horizontally for keyboard tray and vertically for monitor. Tighten knobs when in desired position.



ATTACH KEYBOARD MOUNT TO MONITOR MOUNT

Attach the Paralink Keyboard Mount to the Monitor Mount by using the 3/8-16 screw and lock washer provided

