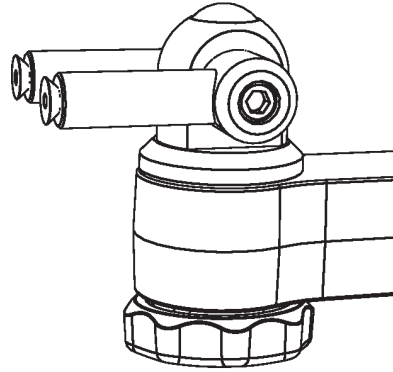




ERGOVISION 65 INSTRUCTIONS

ICWUSA.com, Inc.

If you have any questions, please call 1-800-558-4435



IF MOUNTING TO A WALL

ATTACH WALL PLATE TO WALL

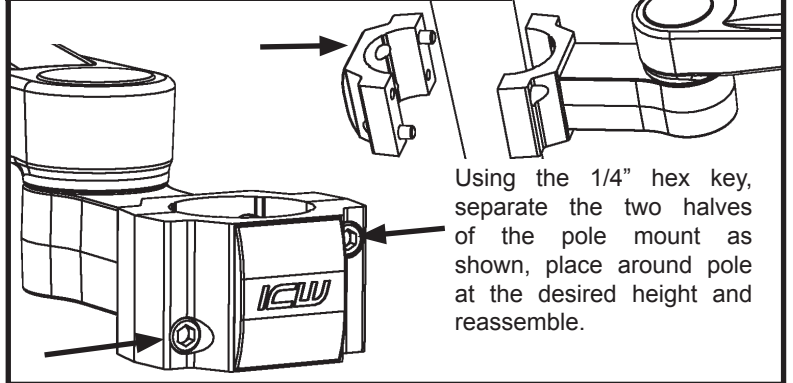


Locate the stud and mark the top hole, drill 11/64 pilot hole and insert #14 screw and tighten slightly. Using a level, mark the lower hole and drill pilot hole, insert #14 screw and, with the unit level, tighten both screws.

NOTE: ICW supplies #14 wood screws. If installing onto metal studs, you will need to replace with proper metal stud fasteners.

IF MOUNTING TO A POLE

ATTACH POLE CLAMP TO POLE



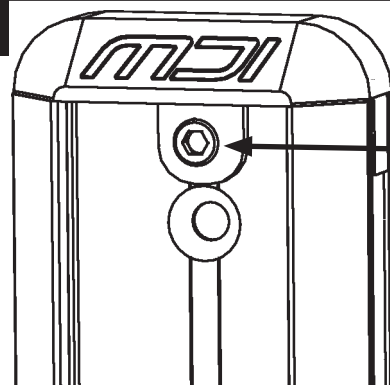
Using the 1/4" hex key, separate the two halves of the pole mount as shown, place around pole at the desired height and reassemble.

IF MOUNTING TO THE ULTRA WALL TRACK

MOUNT ULTRA TRACK TO WALL

Locate the wall stud and mark the top hole of the Wall Track, drill 11/64 pilot hole and insert #14 screw and tighten slightly. Use a level, mark the lower holes, drill pilot holes and then insert the #14 screws.

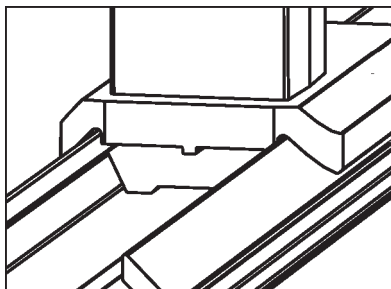
NOTE: #14 Wood screws are supplied with unit. If installing into metal studs, you will need to replace these with proper metal stud fasteners



Remove small socket head cap screw in the top middle of the Wall Track. Remove plastic cover.

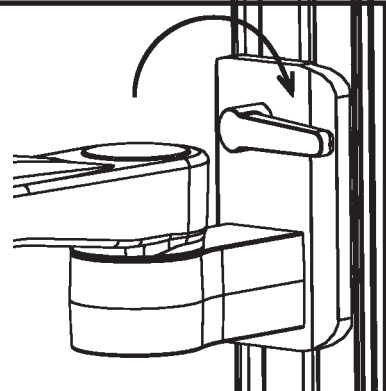
ATTACH SLIDER TO ULTRA TRACK

Insert Slider into Wall Track as shown at left and replace the small socket head cap screw and plastic cover.



Once you have adjusted the slider to the desired height, tighten down the Track Slider using the handle on the slider as shown.

Once tight, make sure the handle is positioned so that it is pointing down as far as possible. Pull and turn handle to position.

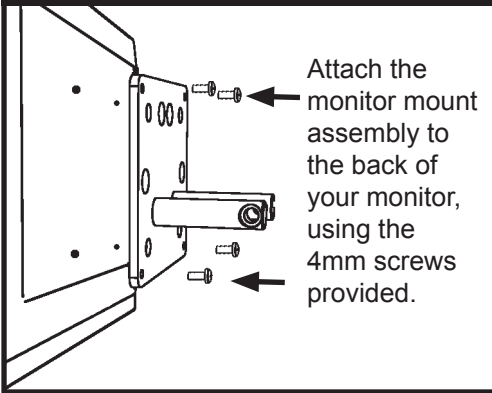


ICW ERGOVISION 65 INSTRUCTIONS

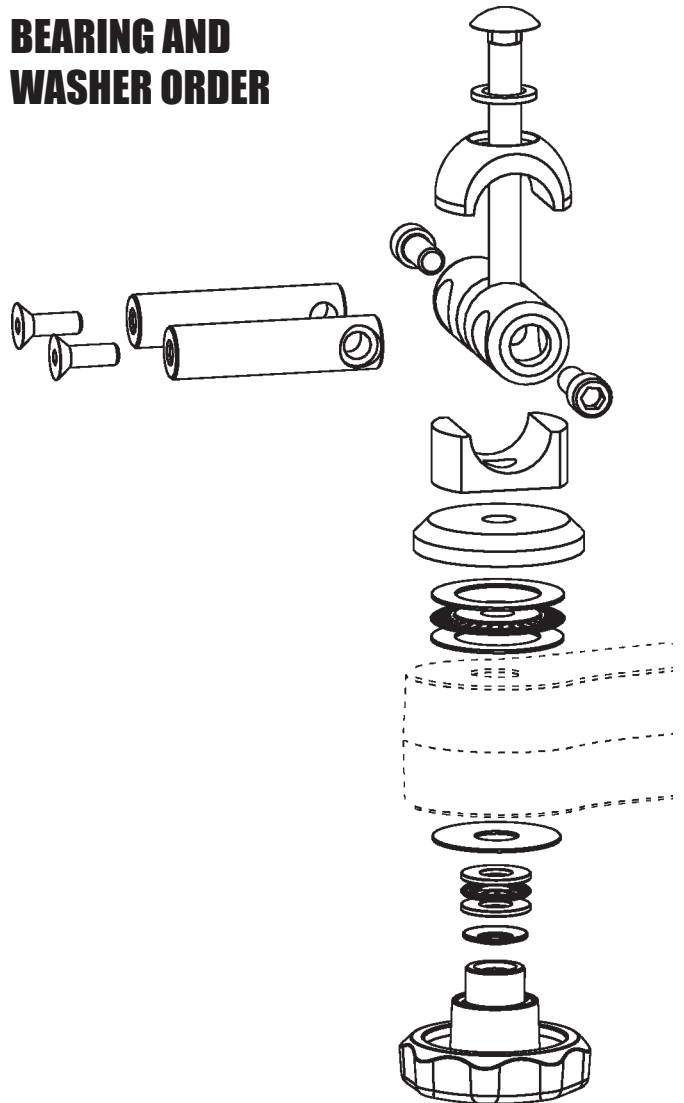
ICWUSA.com, Inc.

If you have any questions, please call 1-800-558-4435

ATTACH VESA TO MONITOR

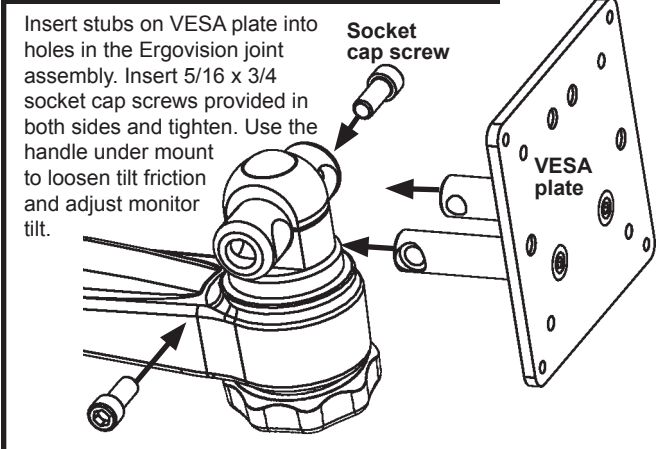


BEARING AND WASHER ORDER



ONCE VESA IS ATTACHED TO MONITOR

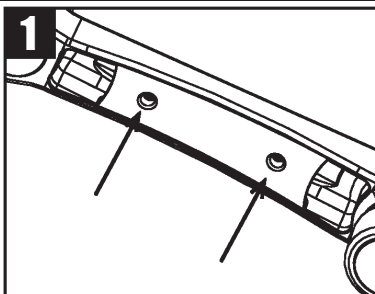
ATTACH VESA TO EV65 JOINT



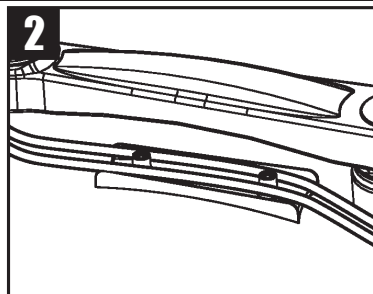
IF AN EXTENSION ARM IS USED

EV65 WIRE MANAGEMENT

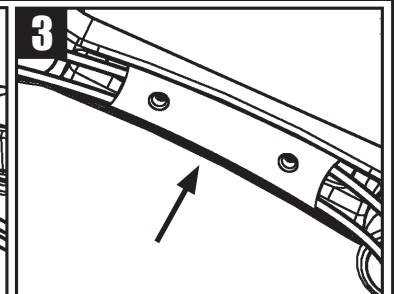
[1] Prepare all cables to route within the arm by placing them near cavity of arm



and bundling together if necessary. Remove cover by unscrewing two socket head cap screws. Screws are captured by the cover so they cannot fall out. Once screws are disengaged, pull cover out of arm.



[2] Place cables over cover and within the channels. Do not block the hole where screws will engage in arm.



[3] Replace cover and tighten screws. Cables should be able to pull through to desired position if necessary.