

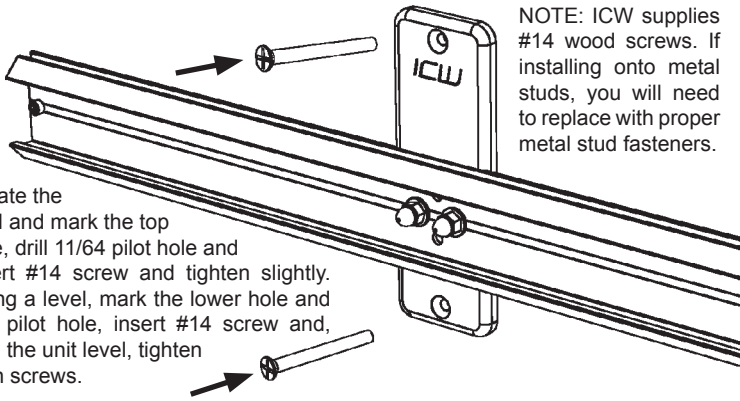
ICW DUAL MONITOR EV65 WALL MOUNT

ICWUSA.com, Inc.

If you have any questions, please call 1-800-558-4435

ATTACH WALL PLATE TO WALL

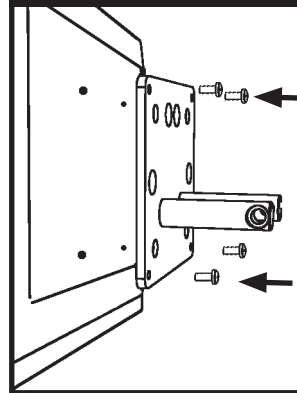
Locate the stud and mark the top hole, drill 11/64 pilot hole and insert #14 screw and tighten slightly. Using a level, mark the lower hole and drill pilot hole, insert #14 screw and, with the unit level, tighten both screws.



NOTE: ICW supplies #14 wood screws. If installing onto metal studs, you will need to replace with proper metal stud fasteners.

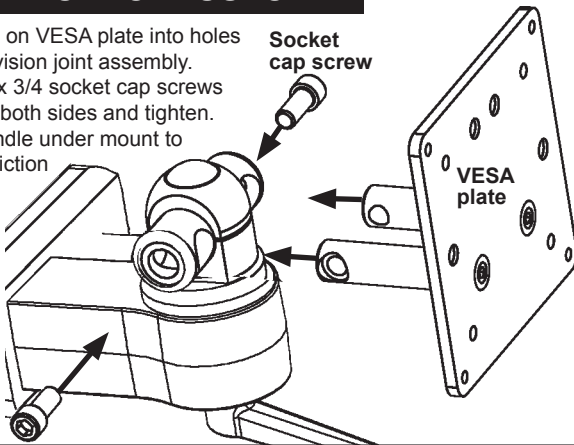
ATTACH VESA TO MONITOR

Attach the monitor mount assembly to the back of your monitor, using the 4mm screws provided.



ATTACH VESA TO EV65 JOINT

Insert stubs on VESA plate into holes in the Ergovision joint assembly. Insert 5/16 x 3/4 socket cap screws provided in both sides and tighten. Use the handle under mount to loosen tilt friction and adjust monitor tilt.

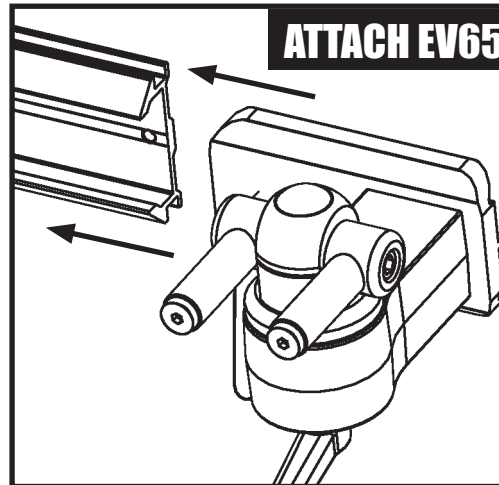


Socket cap screw

VESA plate

ATTACH EV65 TO TRACK

After loosening slider plate on EV65 by turning chrome handle, slide on to track like shown. Once on, tighten slider in place by using chrome handle. Do this with both monitors.



ATTACH TRACK CAP

Once both monitors are on the track, locate track endcaps in hardware bag. These will fit into each end of the track, covering sharp edges. Using two 1 0-32x1 1/4 sockethead cap screws provided, fasten track endcaps to track with 5/32" hex key provided.

