



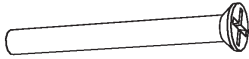
# CPU MOUNT, frame style

## WALL PLATE



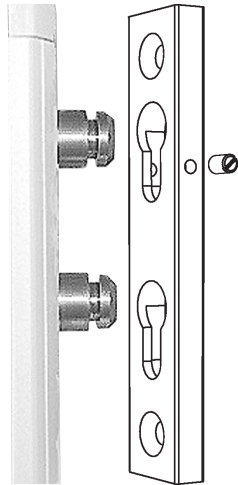
Locate the stud and mark the top hole, drill 11/64 pilot hole and insert #14 screw and tighten slightly. Using a level, mark the lower hole and drill a pilot hole, insert the second #14 screw, again making sure the unit is level.

**NOTE 1:** ICW supplies #14 wood screws. If installing onto metal studs, you will need to replace with proper metal stud fasteners.



Drop your framed CPU into the wall plate's key holes as shown.

To lock the frame into place, insert the security set screw on the right of the top key-hole and tighten into place.



## OPENING THE FRAME



Using your 3/16 hex key wrench loosen the 8 screws in the frame just enough that you can easily open up the frame. Once the frame is open, place your CPU into it, close the frame around your CPU and tighten the screws again holding your CPU in place.



Place the end caps into the corners of the frame.

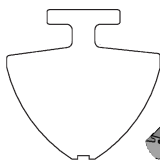
## Included hardware:

- 2 wood screws
- 3/16 hex key (5/32 for small CPU)
- 8 end caps (4 for small CPU)

Standard



Large



To help stabilize smaller computers in the frame larger rubber inserts are available for purchase. Order the **CPU-RUBBERKIT**



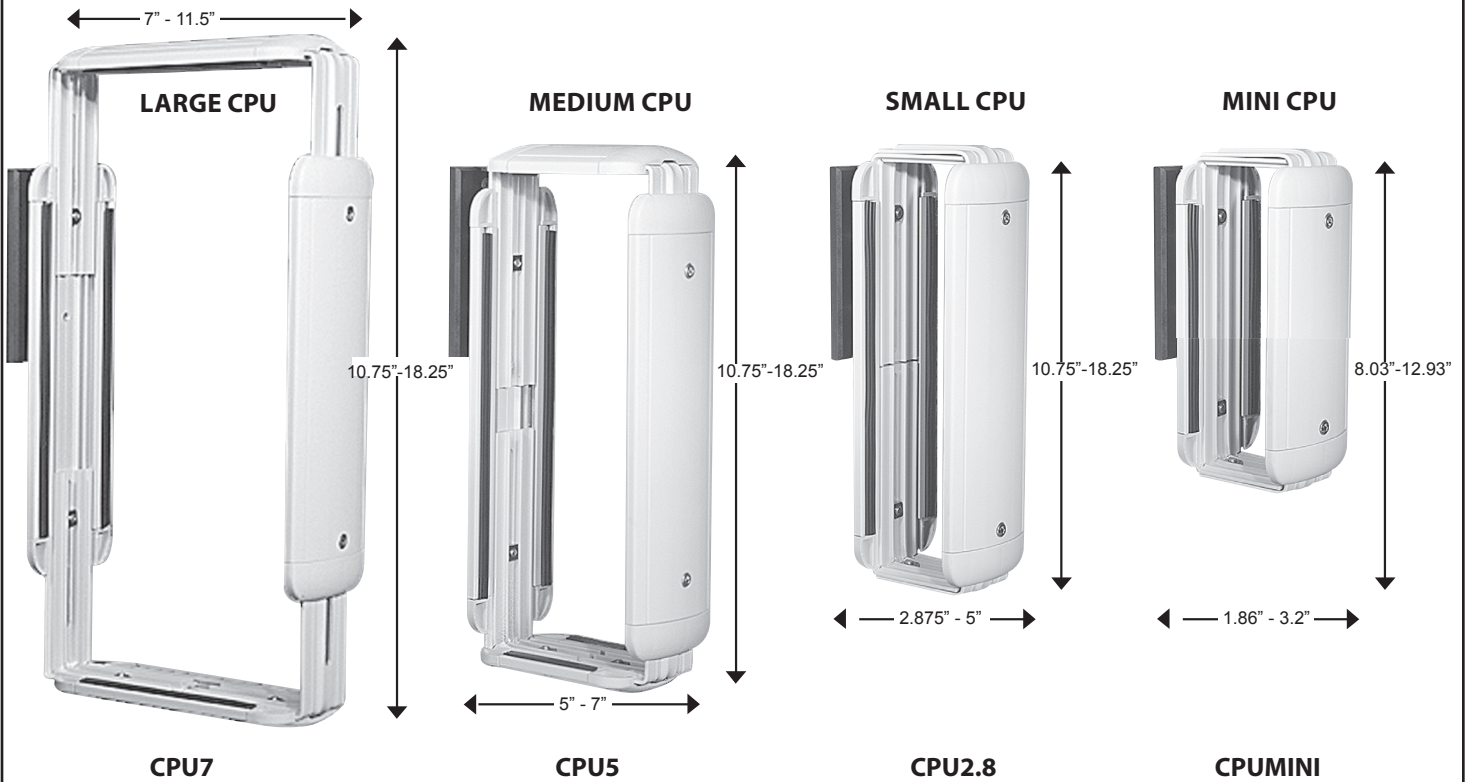
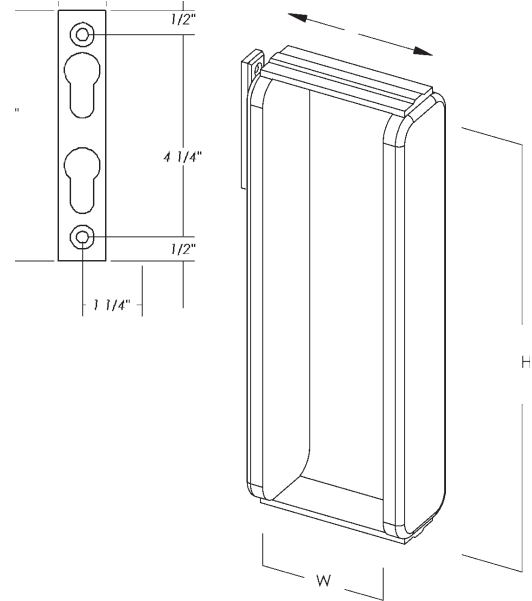
end caps

hex key  
3/16 or  
5/32

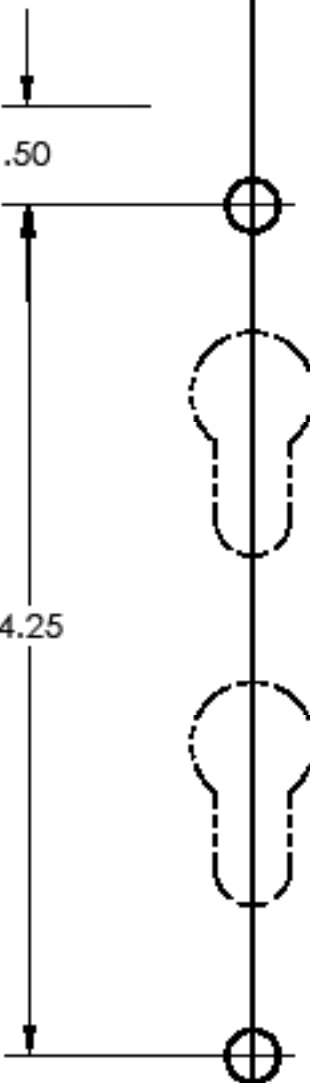
wood  
screws

# ICW

## CPU MOUNT frame style



HOLE  
TEMPLATE  
FOR  
CPU  
WALL  
MOUNT



LEVEL LINE