

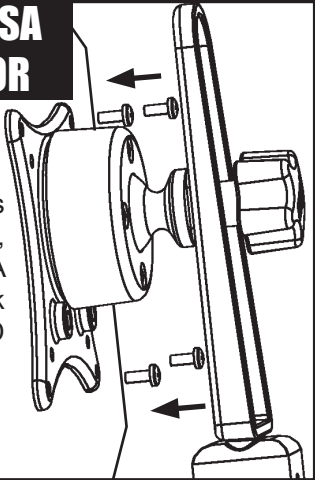
# ICW BALL VESA ADJUSTMENT

ICWUSA.com, Inc.

If you have any questions, please call 1-800-558-4435

## ATTACH VESA TO MONITOR

Using a phillips screw driver, attach the VESA plate to the back of your LCD monitor.



## ADJUST BALL VESA TENSION & HEIGHT

Use the slider knob to loosen the slider to adjust the height of the monitor on the Paralink.

Adjust the pivot tension of the ball by gently and evenly tightening or loosening the four screws on the back of the ball VESA.

