



EASE
EQUIPMENT ANCHORAGE & SEISMIC ENGINEERING
 2801 Connery Way, Suite B
 Missoula, MT 59808
 Phn: (406) 541-EASE (3273) Fax: (406) 541-3274

Office of Statewide Health Planning and Development
ANCHORAGE PRE-APPROVAL

OPA-2073-07

Equipment Manufacturer: ICW USA INC.

Equipment Type: MD Single Arm

GENERAL NOTES

1. FORCES PER ASCE 7-05 SECTION 13.3.1, EQUATIONS 13.3-1, 13.3-2 & 13.3-3, WHERE $S_{DS} = 1.93$, $a_p = 2.5$, $I_p = 1.5$ & $R_p = 2.5$
2. THIS PRE-APPROVAL CONFORMS TO THE 2007 CALIFORNIA BUILDING CODE.
3. THE DETAILS IN THIS PRE-APPROVAL MAY BE USED AT ANY HEIGHT AND AT ANY LOCATION IN THE STATE OF CALIFORNIA.
4. ALL ANCHOR FORCES SHOWN ON THE DRAWINGS ARE WORKING LOADS (AS OPPOSED TO STRENGTH LEVEL LOADS) AND MAY BE USED FOR ALLOWABLE STRESS DESIGN.
5. SHEET METAL SCREWS SHALL BE TEKS SCREWS BY ITW BUILDEX (ICC ESR-1976).
6. PER CAN 2-1708A.5, THIS UNIT DOES NOT REQUIRE "SPECIAL SEISMIC CERTIFICATION".

RESPONSIBILITIES OF THE STRUCTURAL ENGINEER OF RECORD

7. DESIGN BACKING BARS, STUDS, ETC. WHICH THE UNITS ARE ATTACHED TO AS NOTED ON THE DRAWINGS. THE SEOR SHALL ALSO VERIFY THE ADEQUACY OF THE STRUCTURES (SUCH AS WALLS AND FLOORS) WHICH SUPPORT THE UNITS FOR THE LOADS IMPOSED ON THEM BY THE UNITS AS WELL AS ALL OTHER LOADS.
8. PROVIDE ANY SUPPORTING STRUCTURE REQUIRED TO SUPPORT WEIGHTS AND FORCES SHOWN, IN ADDITION TO ALL OTHER LOADS.
9. VERIFY THAT THE INSTALLATION IS IN CONFORMANCE WITH THE 2007 CBC AND WITH THE DETAILS SHOWN IN THIS PRE-APPROVAL. VERIFY THAT THE ACTUAL EQUIPMENT'S WEIGHT, CG LOCATION, ANCHOR LOCATIONS, ANCHOR DETAILS AND THE MATERIAL AND GAGE OF THE UNIT WHERE ATTACHMENTS ARE MADE AGREE WITH THE INFORMATION SHOWN ON THE PRE-APPROVAL DOCUMENTS.



ICW USA INC.

MD SINGLE ARM

DES. **R. LA BRIE**

JOB NO. **11-0883**

DATE **10/27/09**

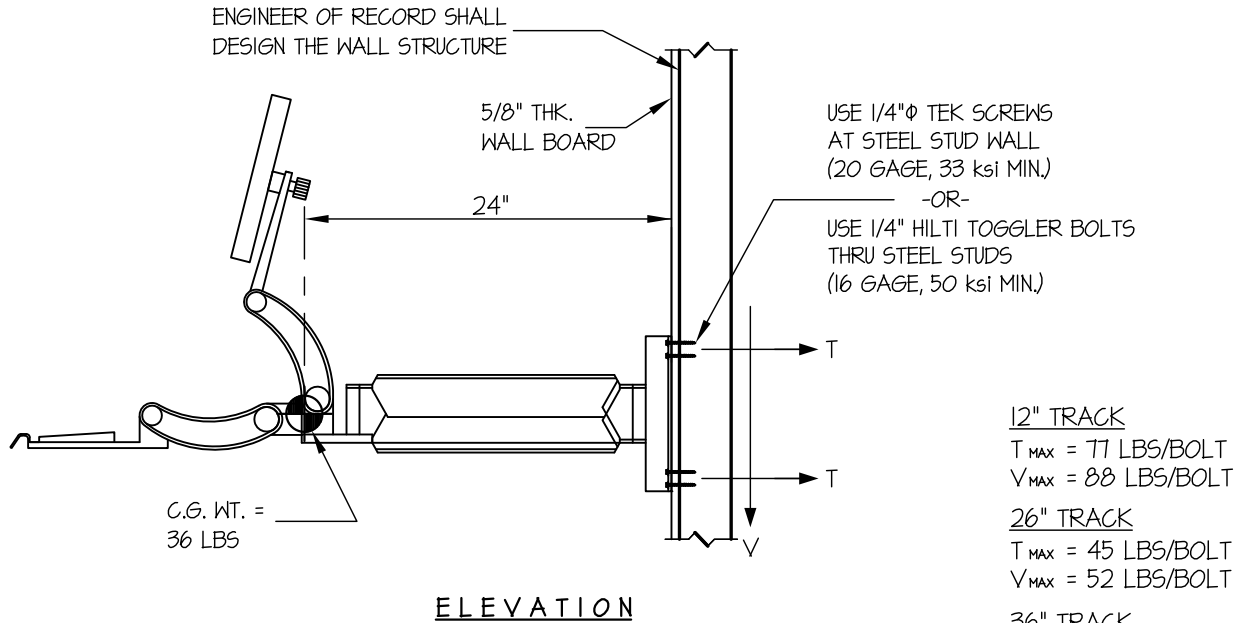
SHEET

2

OF **5** SHEETS

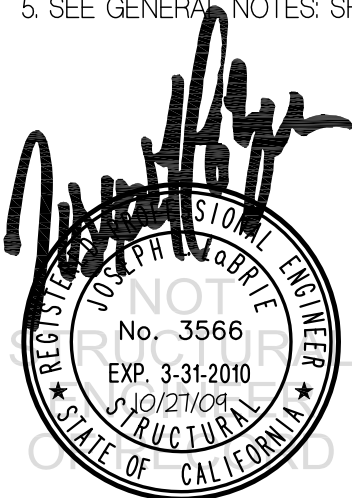
SEISMIC ANCHORAGE

WALL MOUNTED



NOTES:

1. ANCHORAGE DESIGN PER 2007 CALIFORNIA BUILDING CODE - SECTION 1613A AND ASCE 7-05 SECTIONS 12 AND 13. ALLOWABLE STRESS DESIGN IS USED.
HORIZONTAL FORCE (E_H) = $2.43 W_p$ ($S_{DS} = 1.93, a_p = 2.5, I_p = 1.5, R_p = 2.5$)
VERTICAL FORCE (E_v) = $0.27 W_p$
2. CENTER OF GRAVITY (C.G.) WEIGHT IS A MAXIMUM. THIS PRE-APPROVAL ENCOMPASSES ALL WEIGHTS UP TO THE MAXIMUM WEIGHT SHOWN.
3. ENGINEER OF RECORD FOR THE BUILDING SHALL PROVIDE SUPPORT STRUCTURE DESIGNED TO SUPPORT WEIGHTS AND FORCES SHOWN, IN ADDITION TO ALL OTHER LOADS.
4. THIS PRE-APPROVAL IS NOT VALID FOR INSTALLATIONS IN PATIENT ROOMS
5. SEE GENERAL NOTES: SHEET 1



ICW USA INC.

MD SINGLE ARM

DES. **R. LA BRIE**

JOB NO. **11-0883**

DATE **10/27/09**

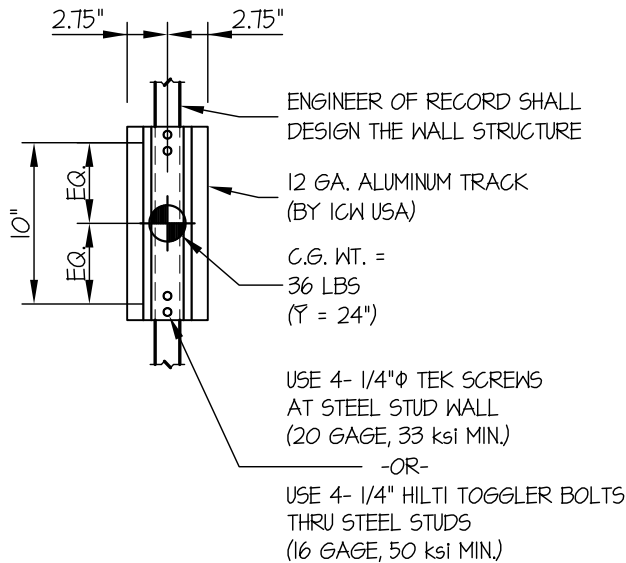
SHEET
3

OF **5** SHEETS

SEISMIC ANCHORAGE

12" TRACK

WALL MOUNTED

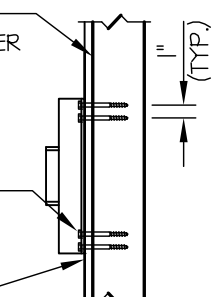


2 x STUDS OR 4 x BLKG (DOUGLAS-FIR LARCH NUMBER 2 MIN.) (DESIGNED BY ENGINEER OF RECORD)

USE 4- 1/4" ϕ X 4" LAG BOLTS TO WOOD STUD OR BLKG. (PRE-DRILL HOLES TO SHANK DIAMETER)

5/8" THK. WALL BOARD

WOOD STUD WALL



PLAN AT WALL PLATE



A P P R O V E D
 Fixed Equipment Anchorage
 Office of Statewide Health Planning and Development

OPA-2073-07

Pre-approval Program Manager:
 Anthony R. Pike
 (916) 440-8470



Anthony R. Pike

Reviewed By: Anthony R. Pike 10/27/09

ICW USA INC.

MD SINGLE ARM

DES. **R. LA BRIE**

JOB NO. **11-0883**

DATE **10/27/09**

SHEET

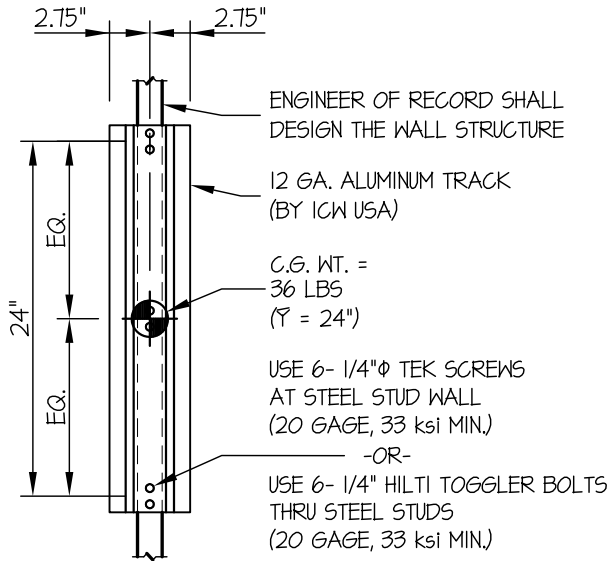
4

OF **5** SHEETS

SEISMIC ANCHORAGE

26" TRACK

WALL MOUNTED

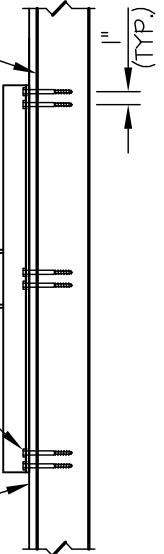


PLAN AT WALL PLATE

2 x STUDS OR 4 x BLKG
 (DOUGLAS-FIR LARCH
 NUMBER 2 MIN.)
 (DESIGNED BY ENGINEER
 OF RECORD)

USE 6- 1/4" ϕ X 4"
 LAG BOLTS TO
 WOOD STUD OR BLKG.
 (PRE-DRILL HOLES
 TO SHANK DIAMETER)

5/8" THK.
 WALL BOARD



WOOD STUD WALL



A P P R O V E D
 Fixed Equipment Anchorage
 Office of Statewide Health Planning and Development

OPA-2073-07

Pre-approval Program Manager:
 Anthony R. Pike
 (916) 440-8470

Anthony R. Pike

Reviewed By: Anthony R. Pike 10/27/09

1/10/2010

A P P R O V E D
Fixed Equipment Anchorage
Office of Statewide Health Planning and Development



OPA-2073-07
Pre-approval Program Manager:
Anthony R. Pike
(916) 440-8470

Anthony R. Pike
Reviewed By: Anthony R. Pike 10/27/09