

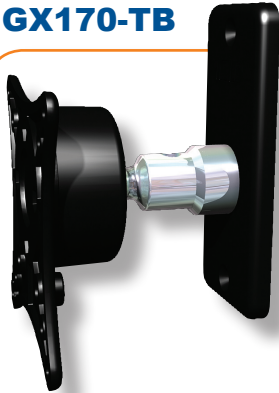
"New" GX Series

from
ICW

MADE IN THE USA

800-558-4435
1487 Kingsley Dr
Medford, OR 97504
www.icwusa.com

GX170-TB



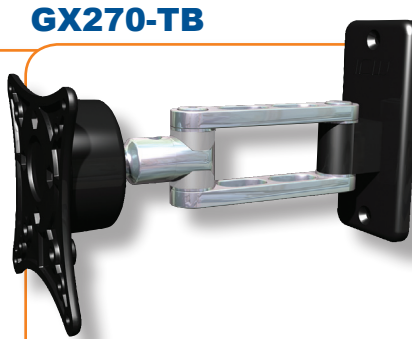
Specifications

Payload: 28lbs (12.7 kg)
Profile: 4"
Screen Tilt: 50°

Features

- Compact mount, under 4" from wall
- Installation made easy with a single bolt disconnect.

GX270-TB



Specifications

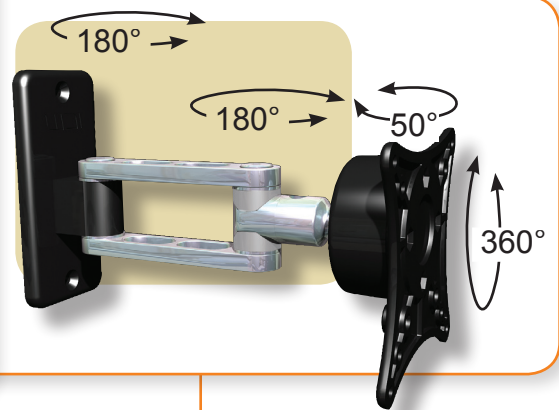
Payload: 28lbs (12.7 kg)
Max Reach: 8.9"
Stowed Profile: 4"
Arm Swivel: 180°
Screen Tilt: 50°

Features

- Compact mount, under 4" when stowed
- Installation made easy with a single bolt disconnect.



Try the GX170 as a compact ceiling mount



Availability Date

March 1st 2010

Product Description

The GX170 and GX270 are ICW's premier compact wall mounts for LCD's. The ball joint allows for 50° of tilt in all directions as well as the ability to adjust your monitor between portrait and landscape positions. The single bolt disconnect feature simplifies the installation of the GX products.

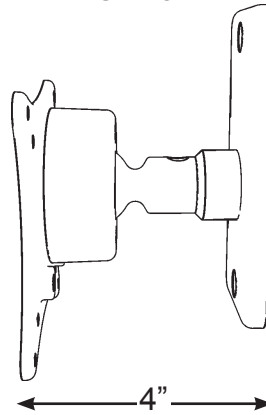
Part Numbers

GX170 4" compact monitor mount
GX270 compact mount with short arm

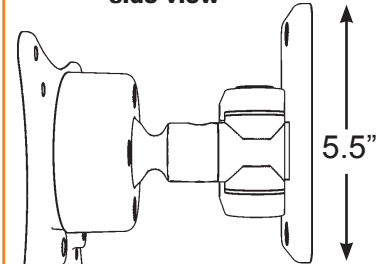
List Prices

GX170 \$80
GX270 \$125

GX170

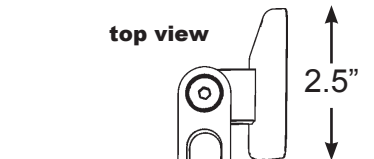


Stowed GX270 side view

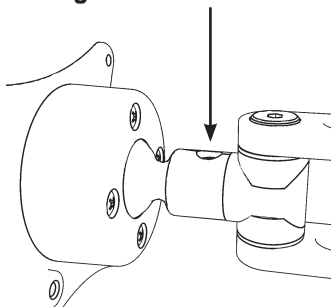


4"

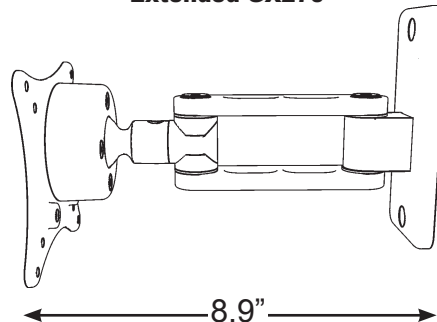
top view



Single Bolt Disconnect



Extended GX270



4"